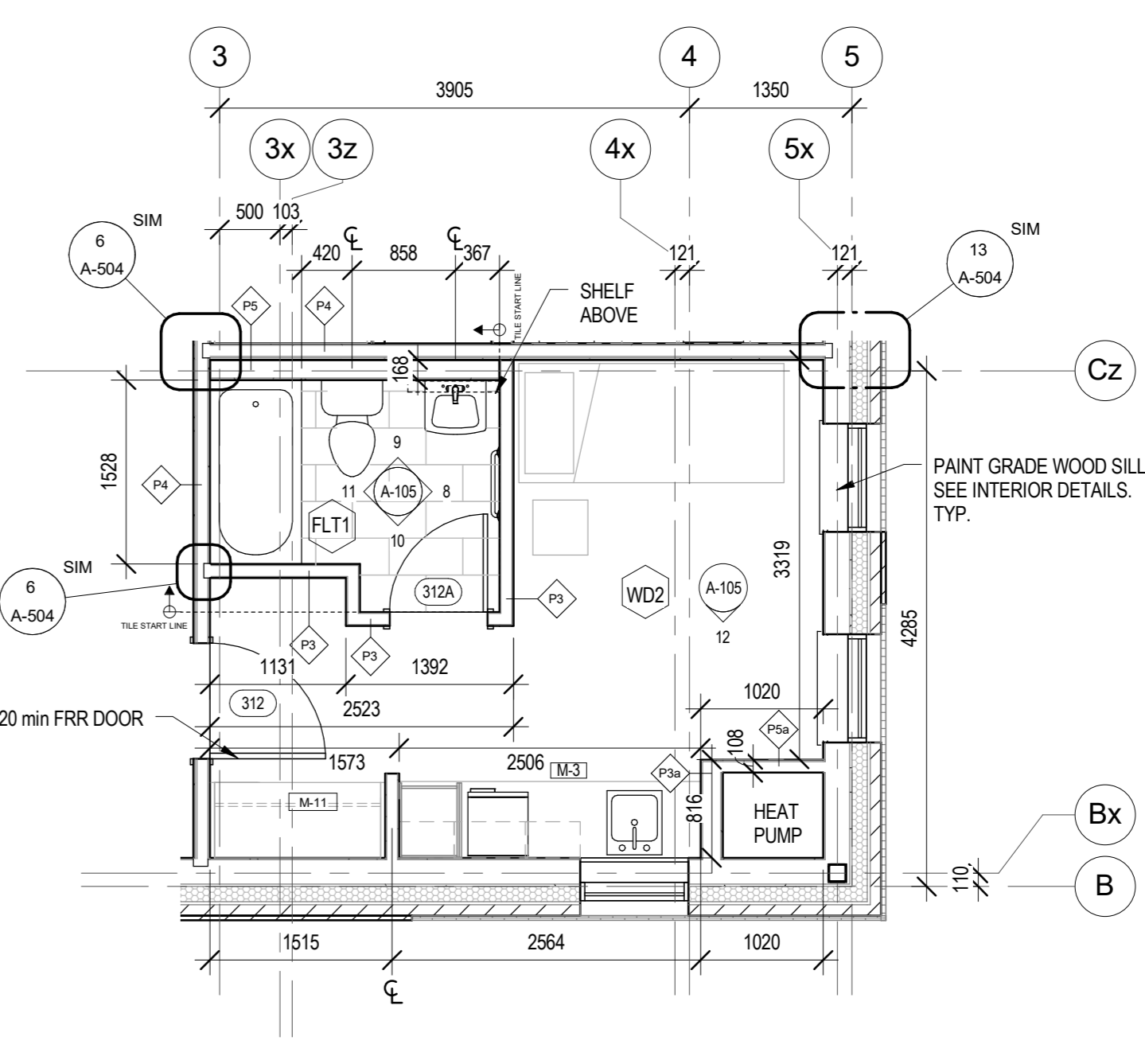
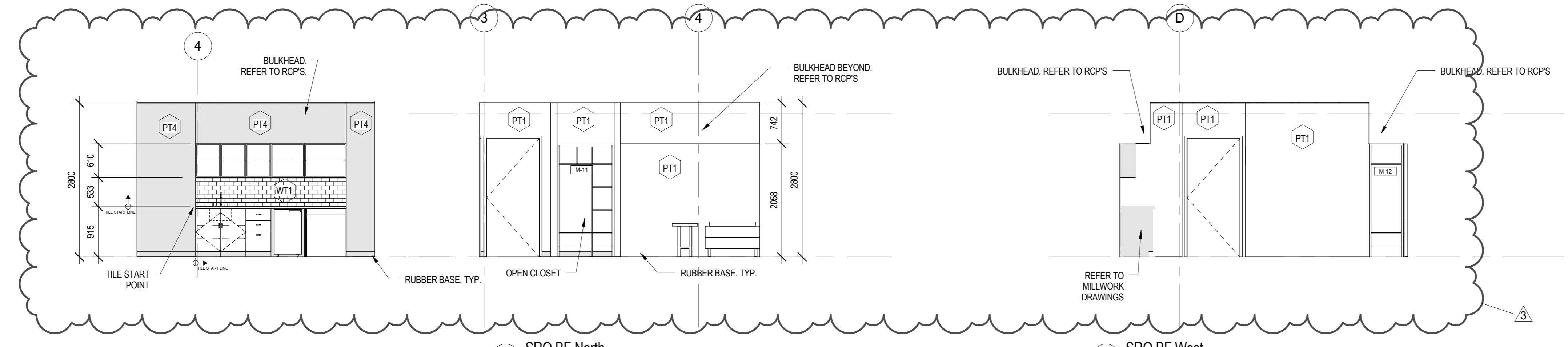


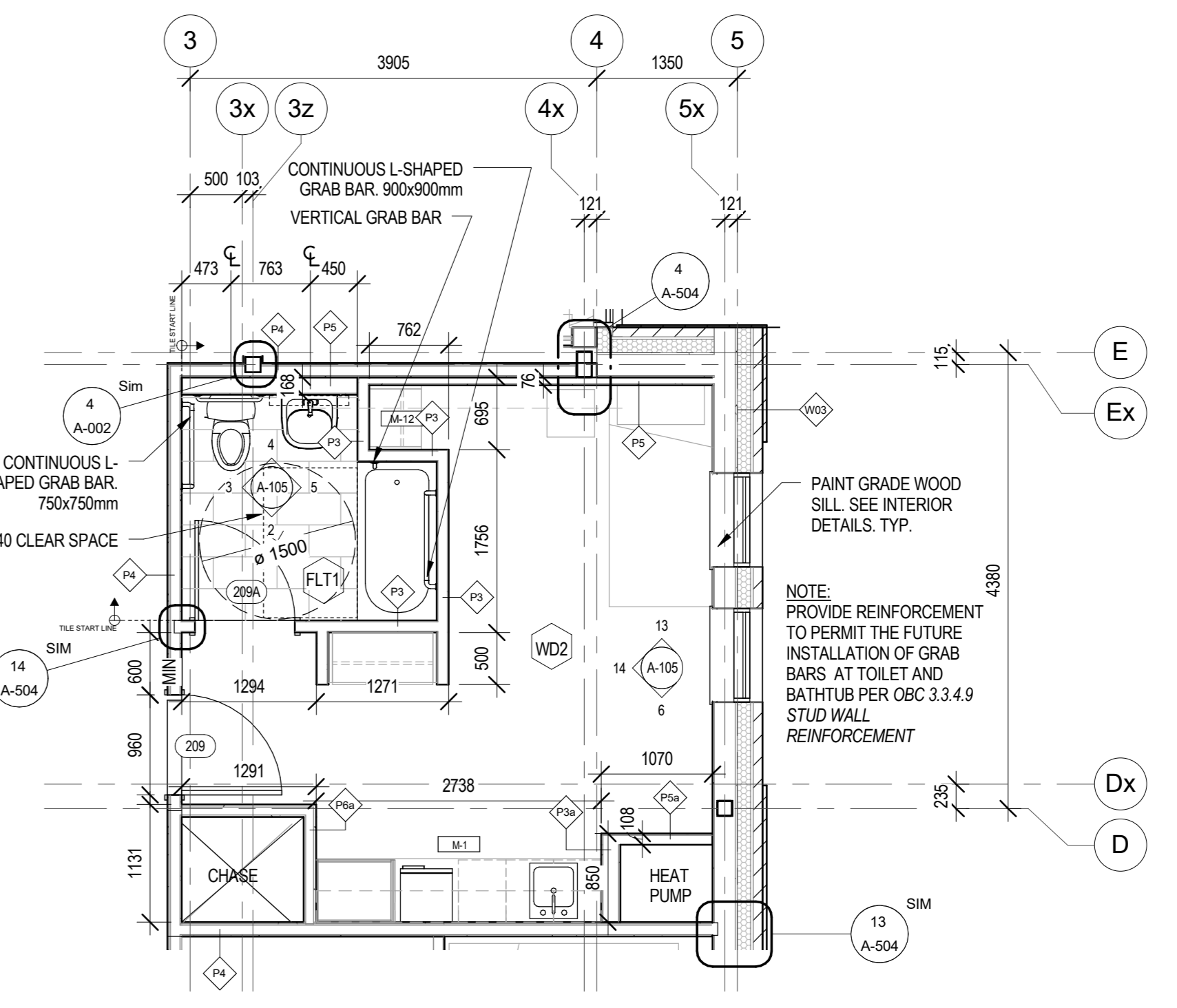
12 SRO #212, AND 312(SIM) TYP. 1:50
9 SRO #212, AND 312(SIM) WC North 1:50
8 SRO #212, AND 312(SIM) WC East 1:50
10 SRO #212, AND 312(SIM) WC South 1:50
11 SRO #212, AND 312(SIM) WC West 1:50



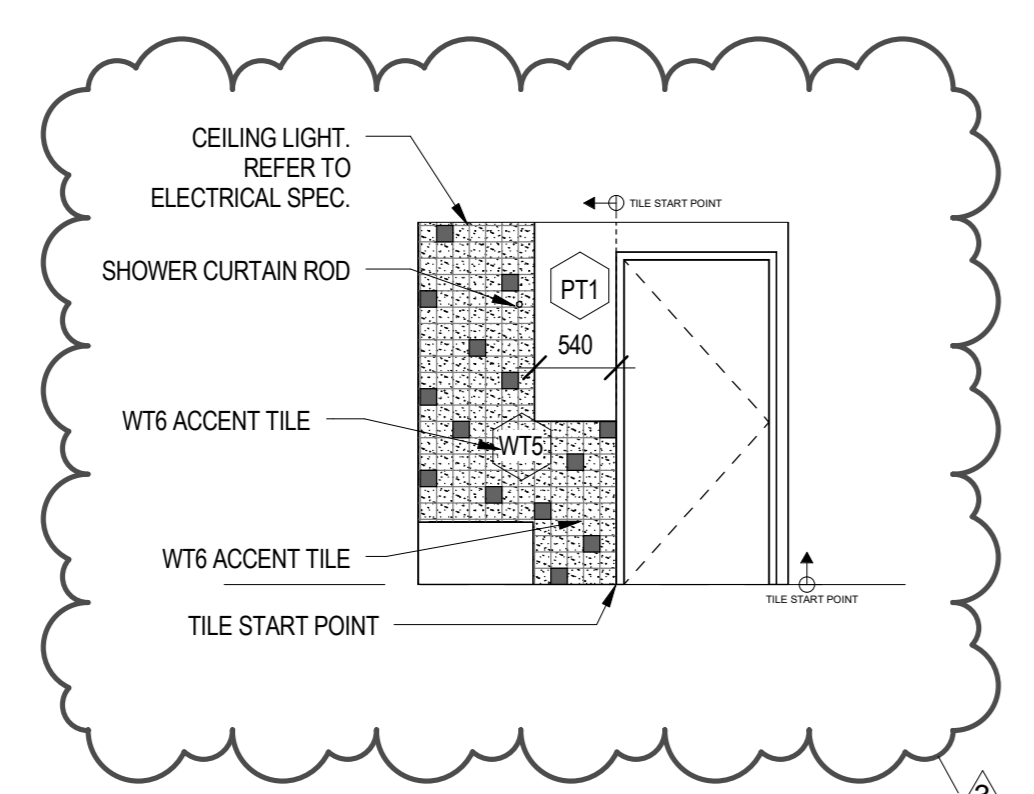
7 Typical Layout Type D - SRO #212, AND 312(SIM) 1:50



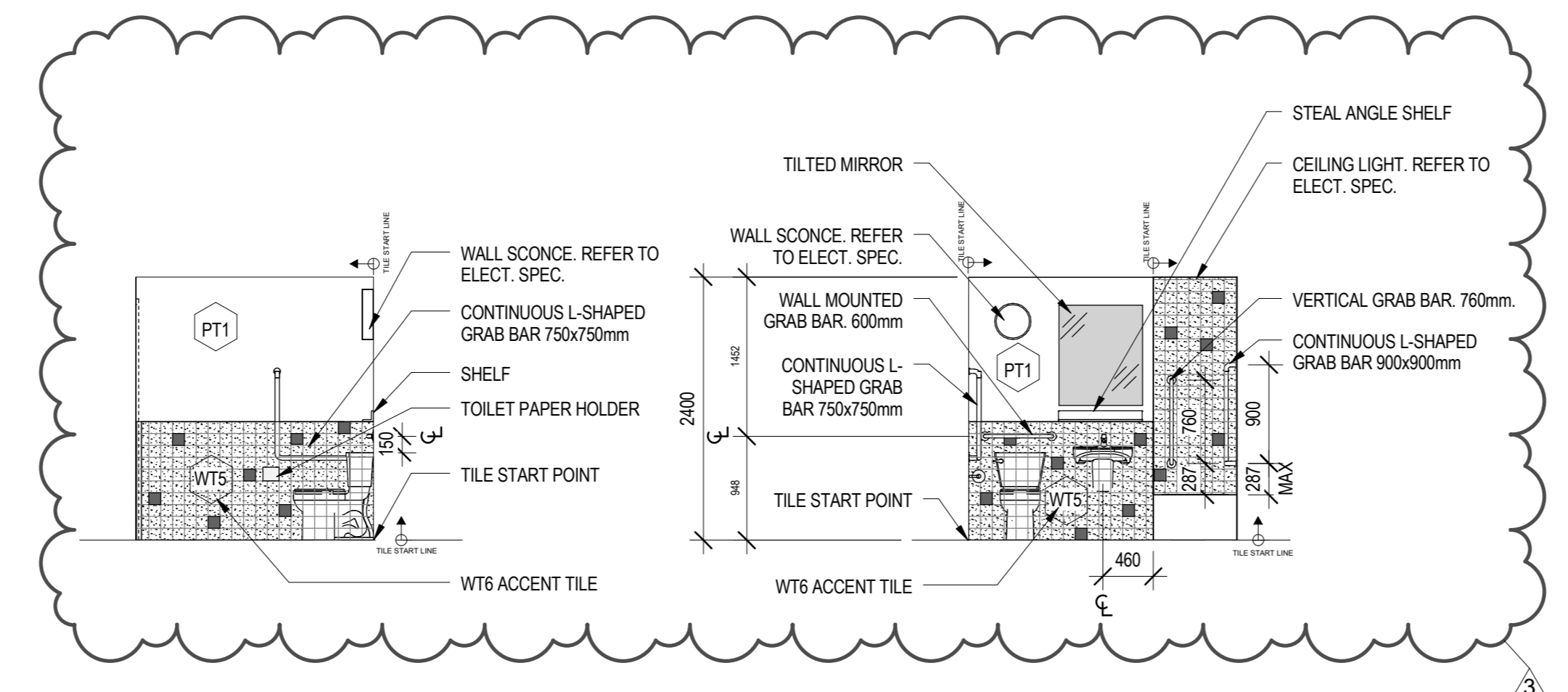
6 SRO BF South 1:50
13 SRO BF North 1:50
14 SRO BF West 1:50



1 Typical Layout Type E - Barrier Free SROs #209 & 309 1:50

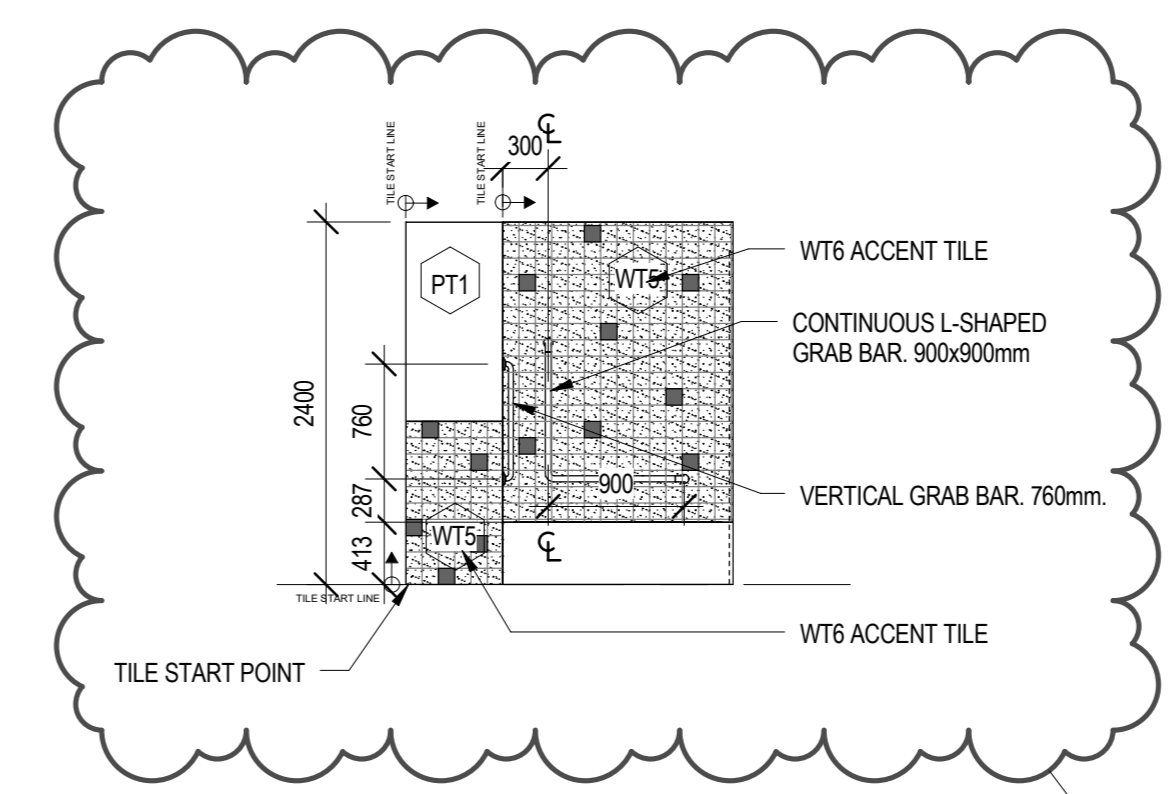


2 SRO B/F WC North Typ. 1:50

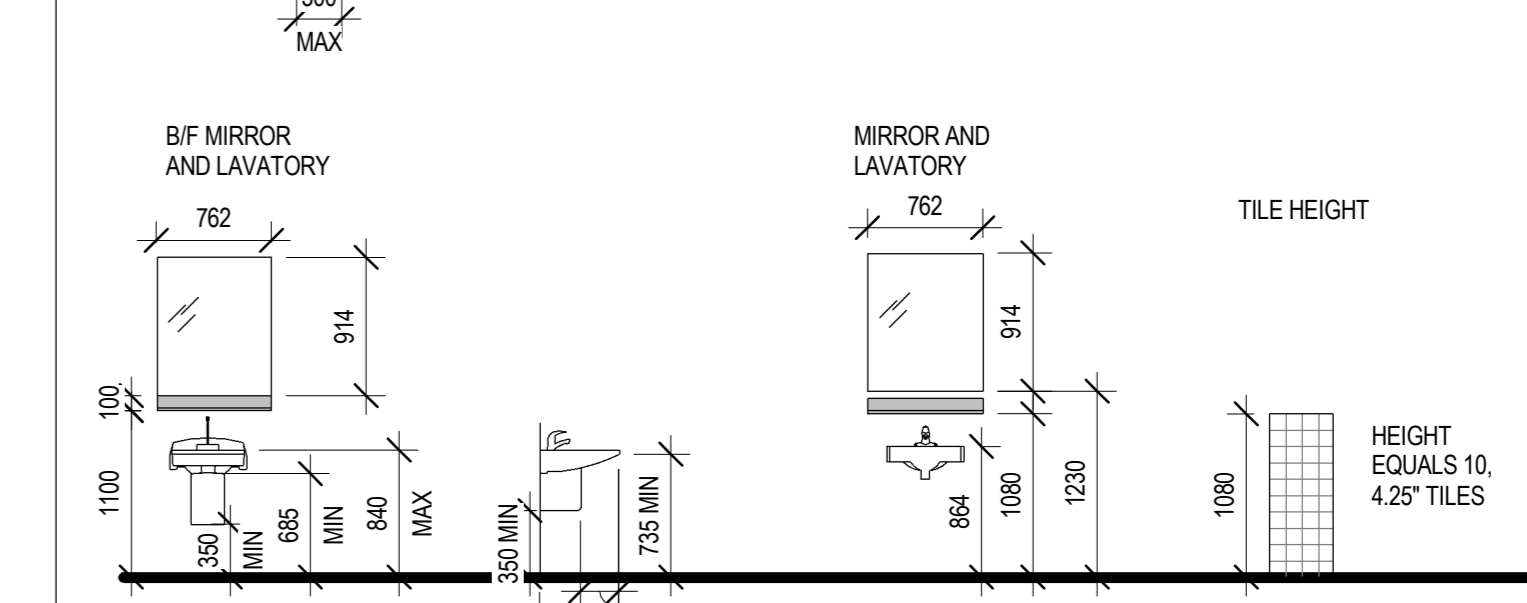
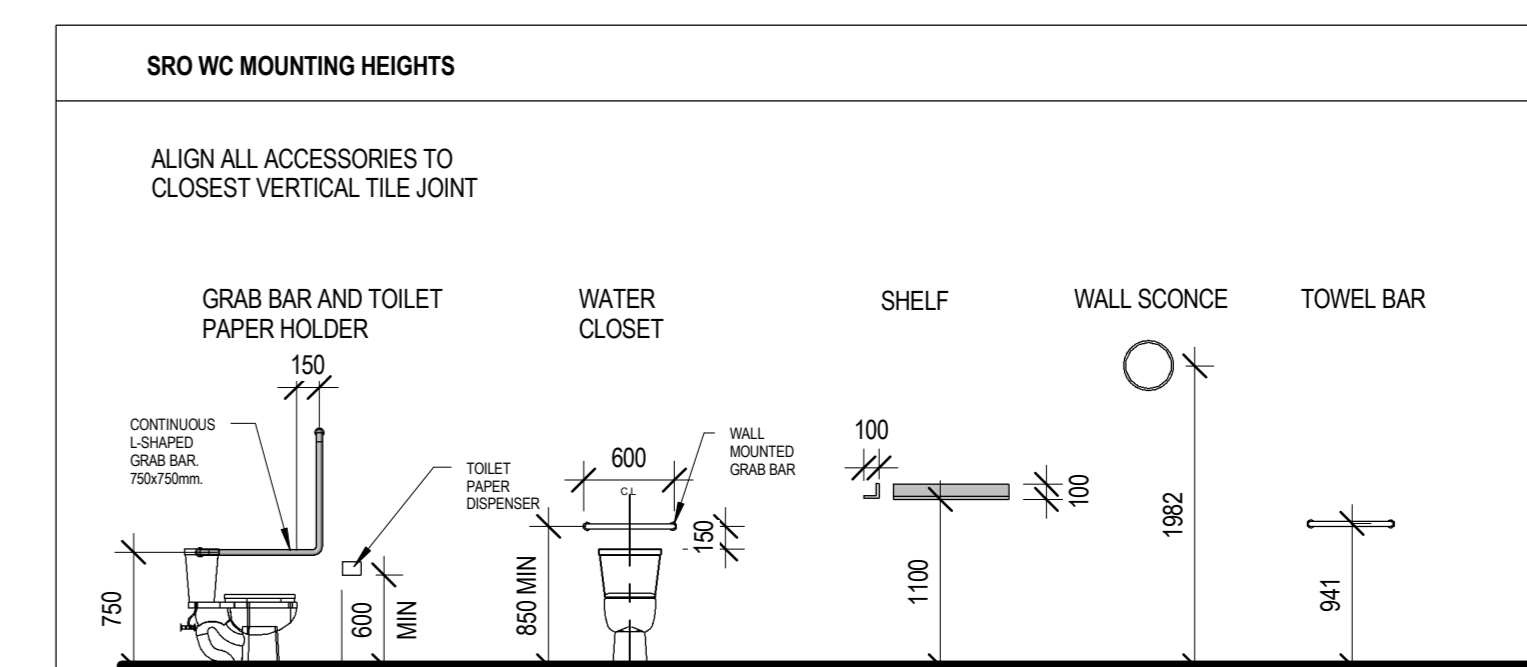


3 SRO B/F WC East Typ. 1:50

4 SRO B/F WC South Typ. 1:50



5 SRO B/F WC West Typ. 1:50



SRO Material Finishes

	VP2 - VINYL FLOOR - WOOD ALTRIO WOOD SMOOTH PALE BEECH 1000X900 2M X 20M ROLL, 2MM THICKNESS
	FT1L - FLOOR TILE: OLYMPIA TILE REGAL SERIES PORCELAIN DARK GRAY MATTE 12" X 24" L'AID WITH 50% RUNNING BOND PATTERN
	WTL - GLAZED WALL TILE OLYMPIA TILE. COLOUR & DIMENSION 3" X 6" PERIMBLE BRIGHT
	WTLs AND WTLs - GLAZED WALL TILE D/L TILE. 53X105X5MM WTLs = 4 25/32" X 25" PEPPER WHITE 0147 WTLs = 4 25/32" X 25" ACCENT COLOUR (APPROX. 10% GARDEN SPOT 0141)

B/F WC Notes

1. BARRIER-FREE WASHROOMS AS PER OBC 3.8.3.8.
2. DOORS AT B/F WASHROOMS AS PER OBC 3.8.3.8.1 (1)(A).
3. GRAB BARS 25-40MM AND 38-50MM CLEAR FROM WALL BARS TO HAVE SLIP-RESISTANT SURFACE. INSTALLED TO RESIST LOAD OF AT LEAST 1.3KN APPLIED VERTICAL OR HORIZONTAL AS PER OBC 3.8.3.12 (2).
4. CONTRACTOR IS REQUIRED TO PROVIDE SHOP DRAWINGS OF LAYOUT AND MOCK UP ALL WORK RELATED TO UNIVERSAL AND B/F WASHROOMS (INCLUDING, BUT NOT NECESSARILY LIMITED TO, DOOR OPENING WIDENING, BLOCKING AND STRUCTURAL REINFORCEMENT), TO BE REVIEWED BY ARCHITECT ON-SITE PRIOR TO COMMENCEMENT OF WORK.
5. TOILETS TO BE EQUIPPED WITH A BACK SUPPORT WHERE THERE IS NO SEAT LID OR TANK, AS PER OBC 3.8.3.9.1 (1) (NOT HAVE A SPRING ACTIVATED SEAT, AS PER OBC 3.8.3.9.1 (1) AND, HAVE HAND-OPERATED FLUSHING CONTROLS THAT ARE OPERABLE USING A CLOSED FIST WITH A FORCE OF NOT MORE THAN 22.2 N, AS PER OBC 3.8.3.9.2).
6. FAUCETS TO BE EQUIPPED WITH LEVER TYPE HANDLES WITHOUT SPRING LOADING OR OPERATE AUTOMATICALLY, AND BE MOUNTED, AS PER OBC 3.8.3.11 (1)(E).

ISSUED FOR TENDER

ISSUE DATE: MARCH 23, 2018

NO.	DATE	DESCRIPTION
3	2018/04/04	ISSUED FOR ADDENDUM #2
2	2018/03/23	ISSUED FOR TENDER
1	2017/12/19	ISSUED FOR BUILDING PERMIT

PROJECT:
BROCK MISSION
MEN'S SHELTER

217 MURRAY STREET, PETERBOROUGH, ONTARIO

DRAWING TITLE:
SRO UNITS -
ENLARGED PLANS &
INTERIOR
ELEVATIONS

PROJECT NO.: 14276
SCALE: As indicated
DRAWN BY: XH
REVIEWED BY: JL

DRAWING NO.:
A-105