

**FINISH PLAN LEGEND**

CO - POURED CONCRETE  
VF1 - VINYL SHEET FLOORING-2501 DARK GREY  
VF2 - VINYL SHEET FLOORING-WSM066 PALE BEECH  
VF3 - VINYL SHEET FLOORING-GRANT SAFE 1.099 EQ RISE  
FLT1 - PORCELAIN FLOOR TILE 12"x24" DARK GREY MATTE  
RST1 - RUBBER STAIR TREADS-RAISED ROUND L88 SUMMERSET

**FINISH WALL LEGEND**

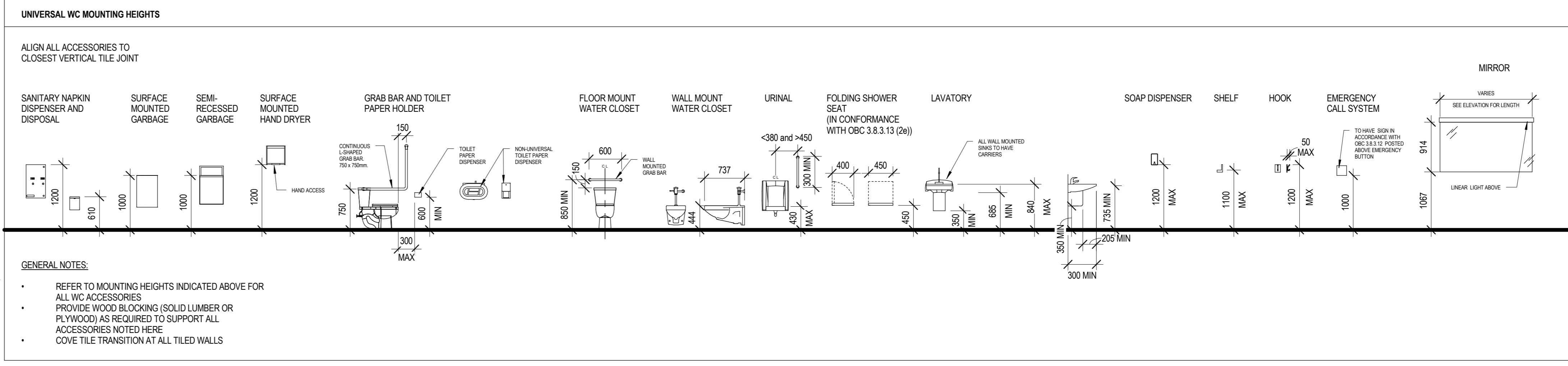
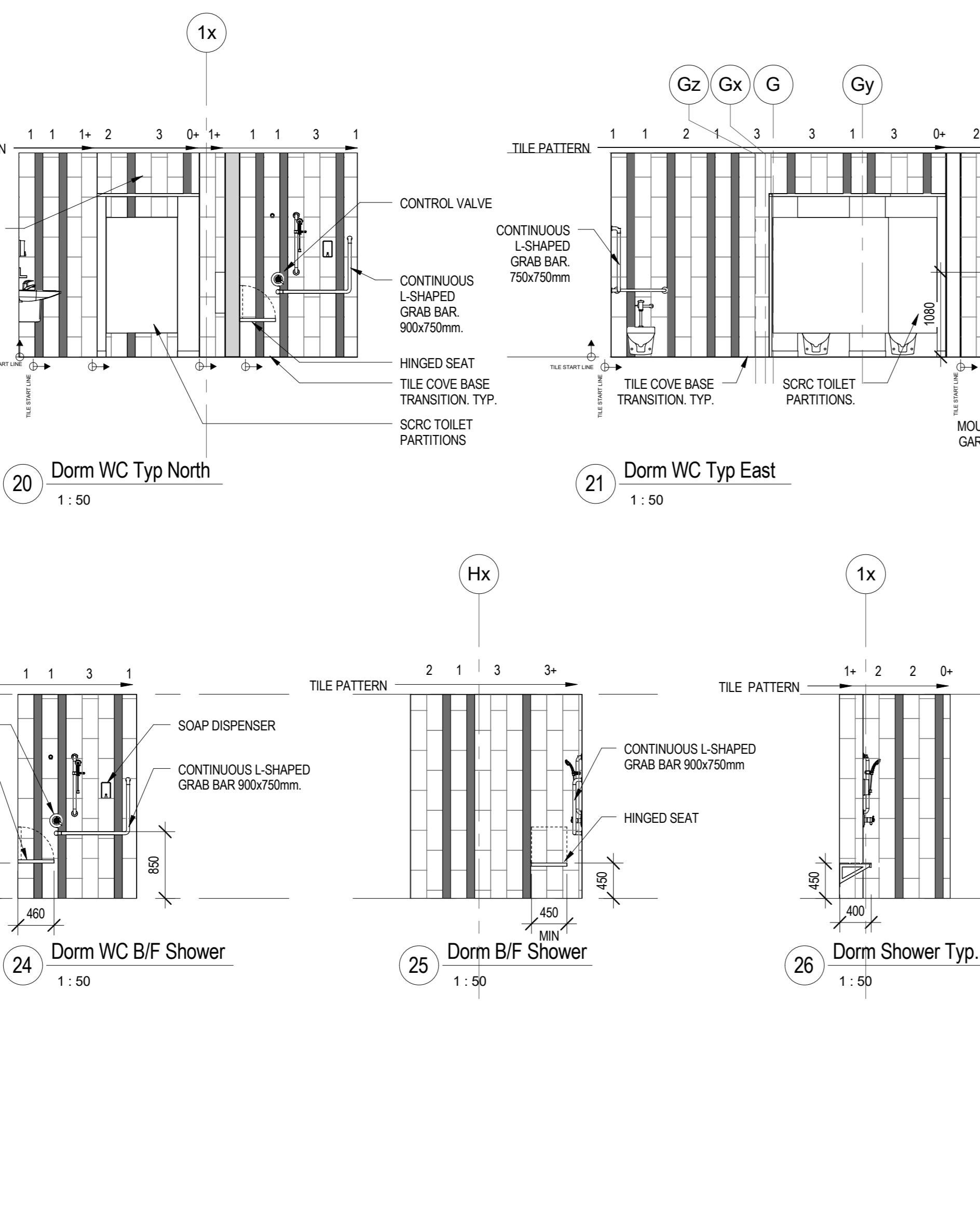
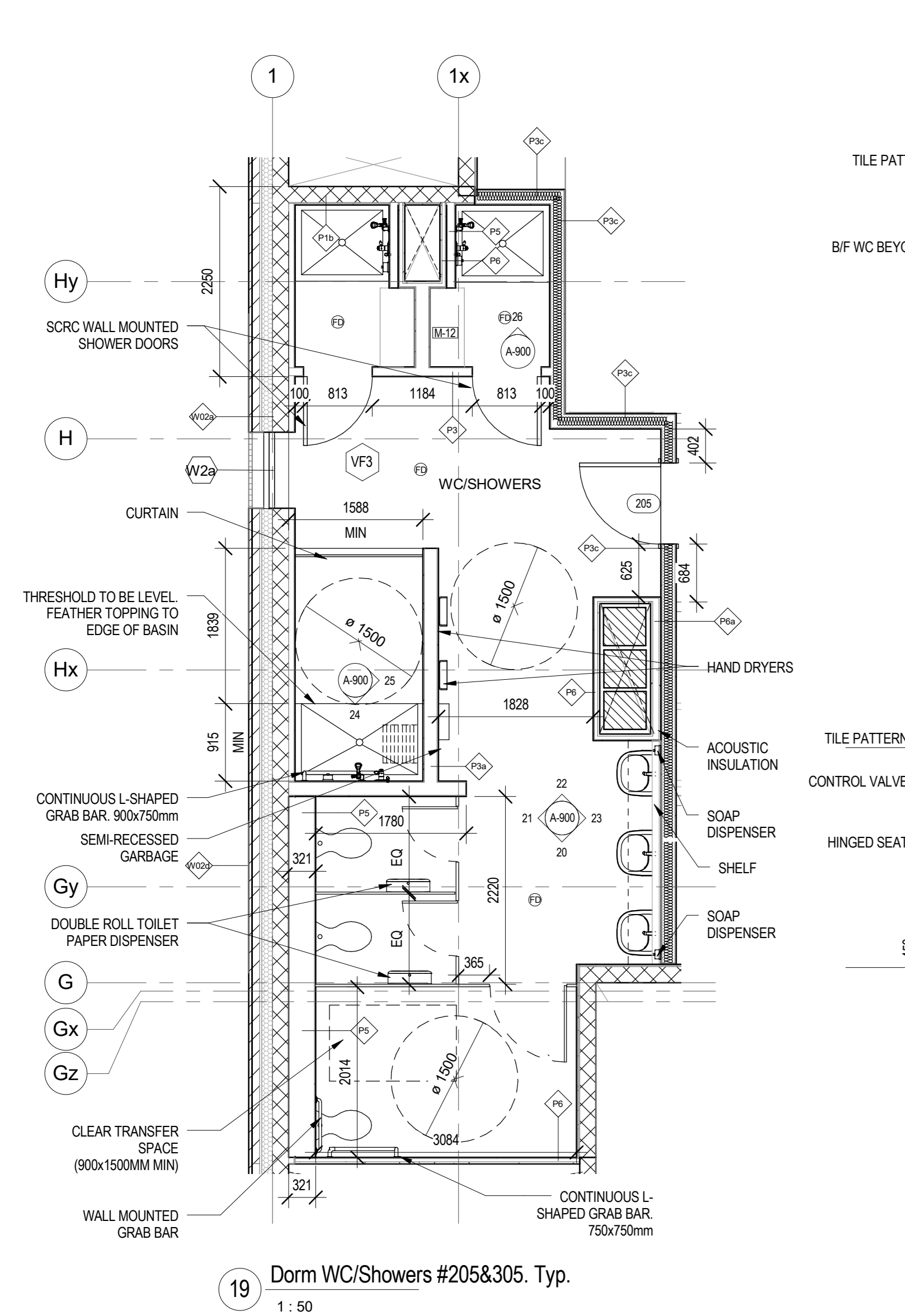
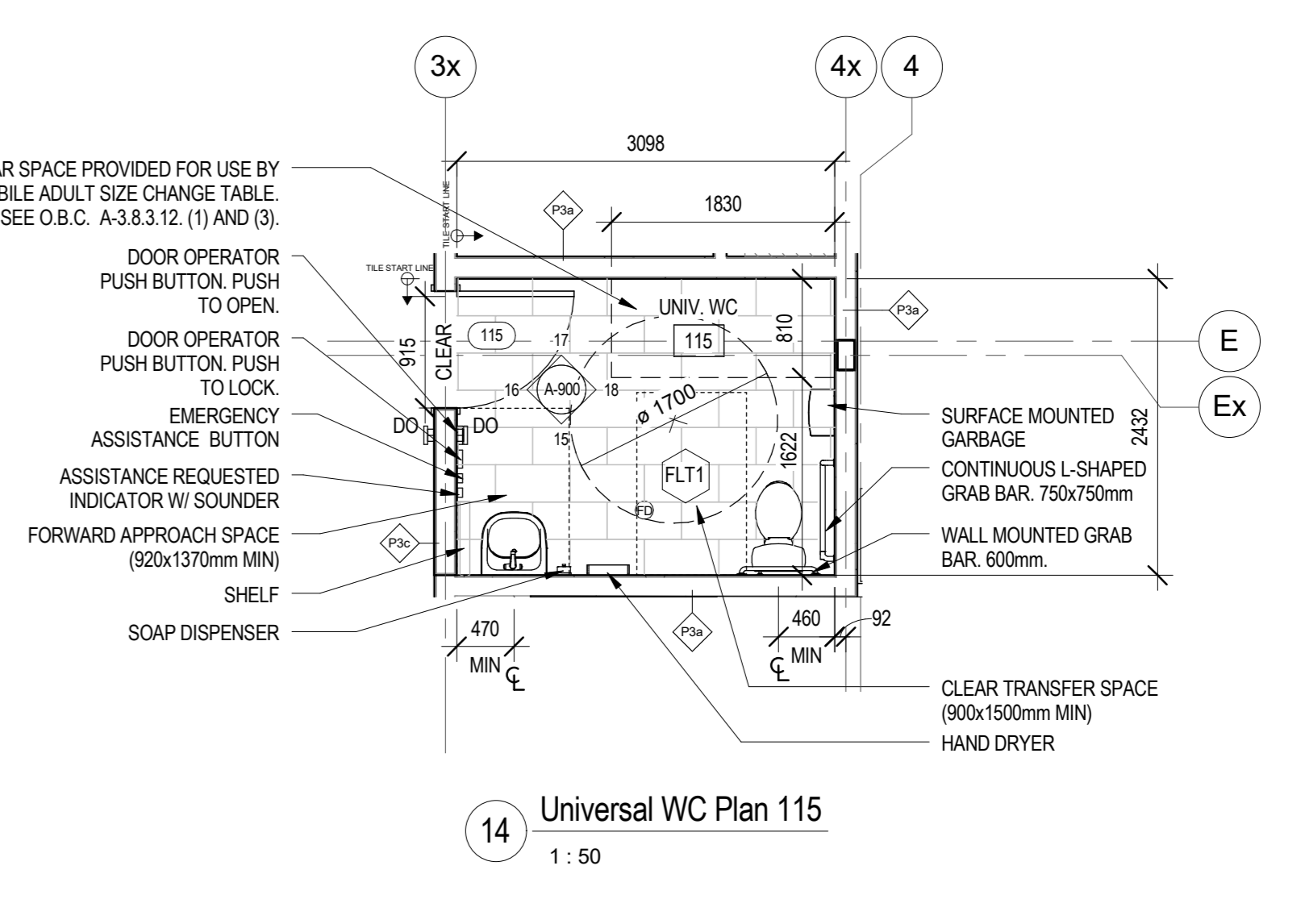
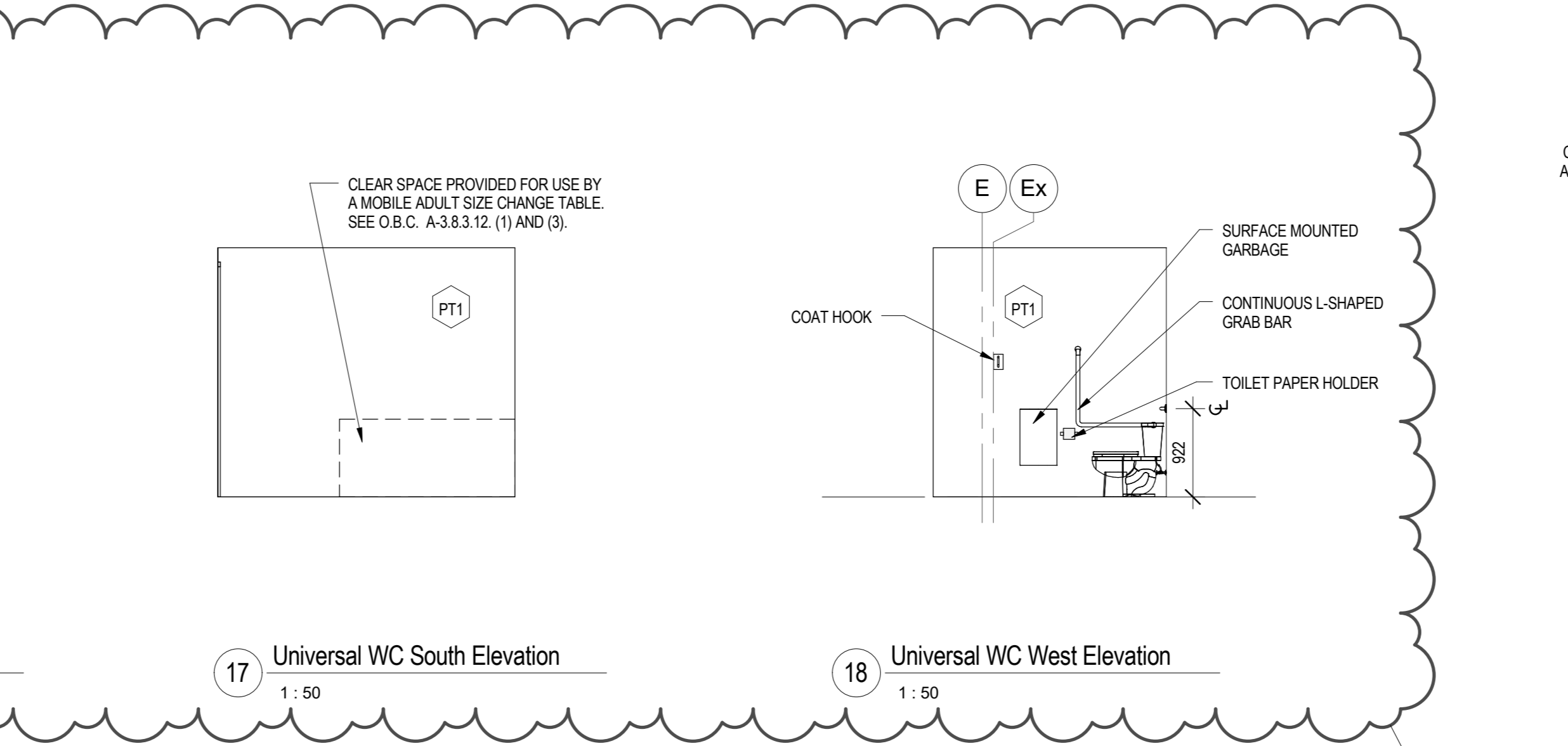
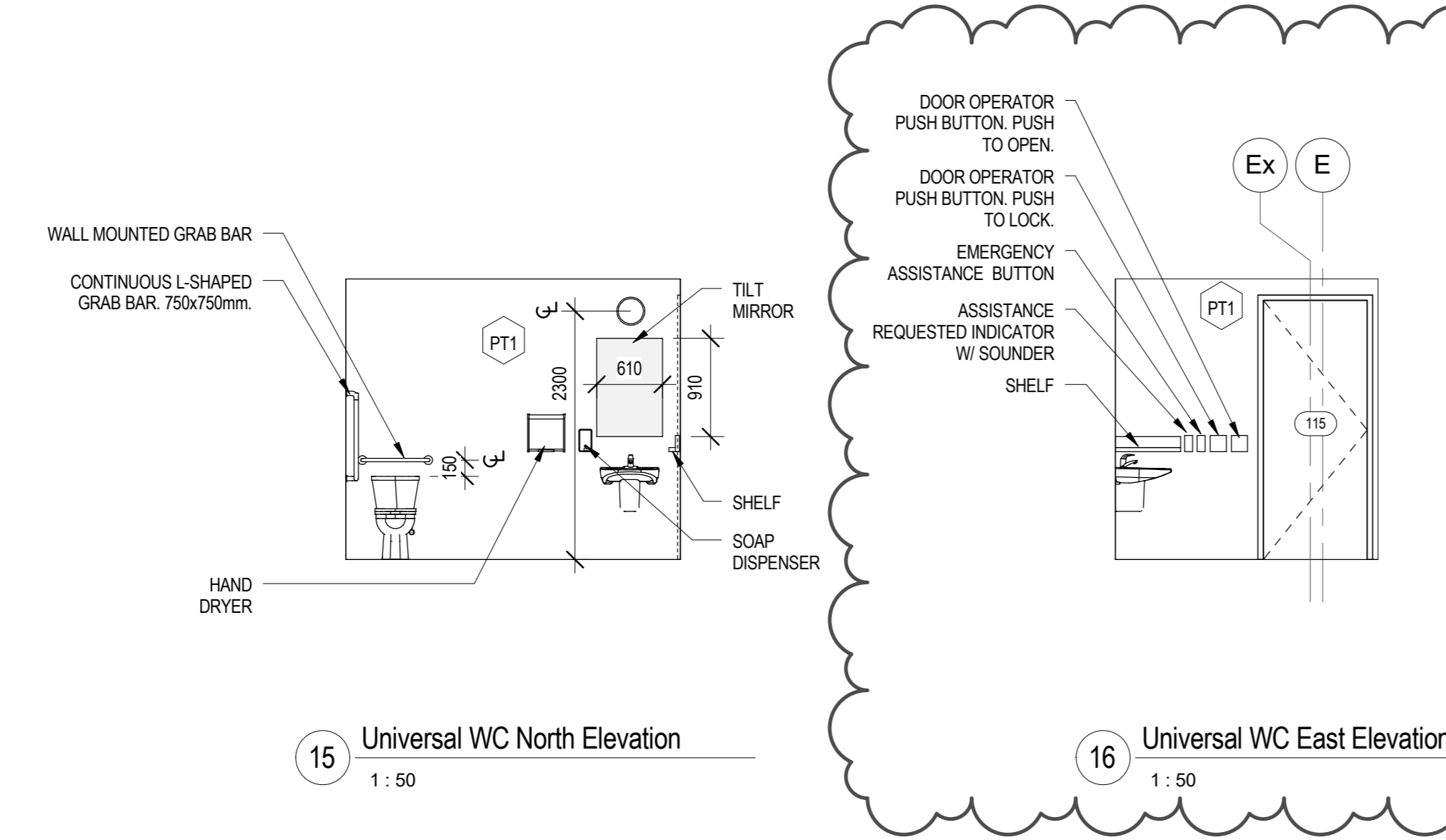
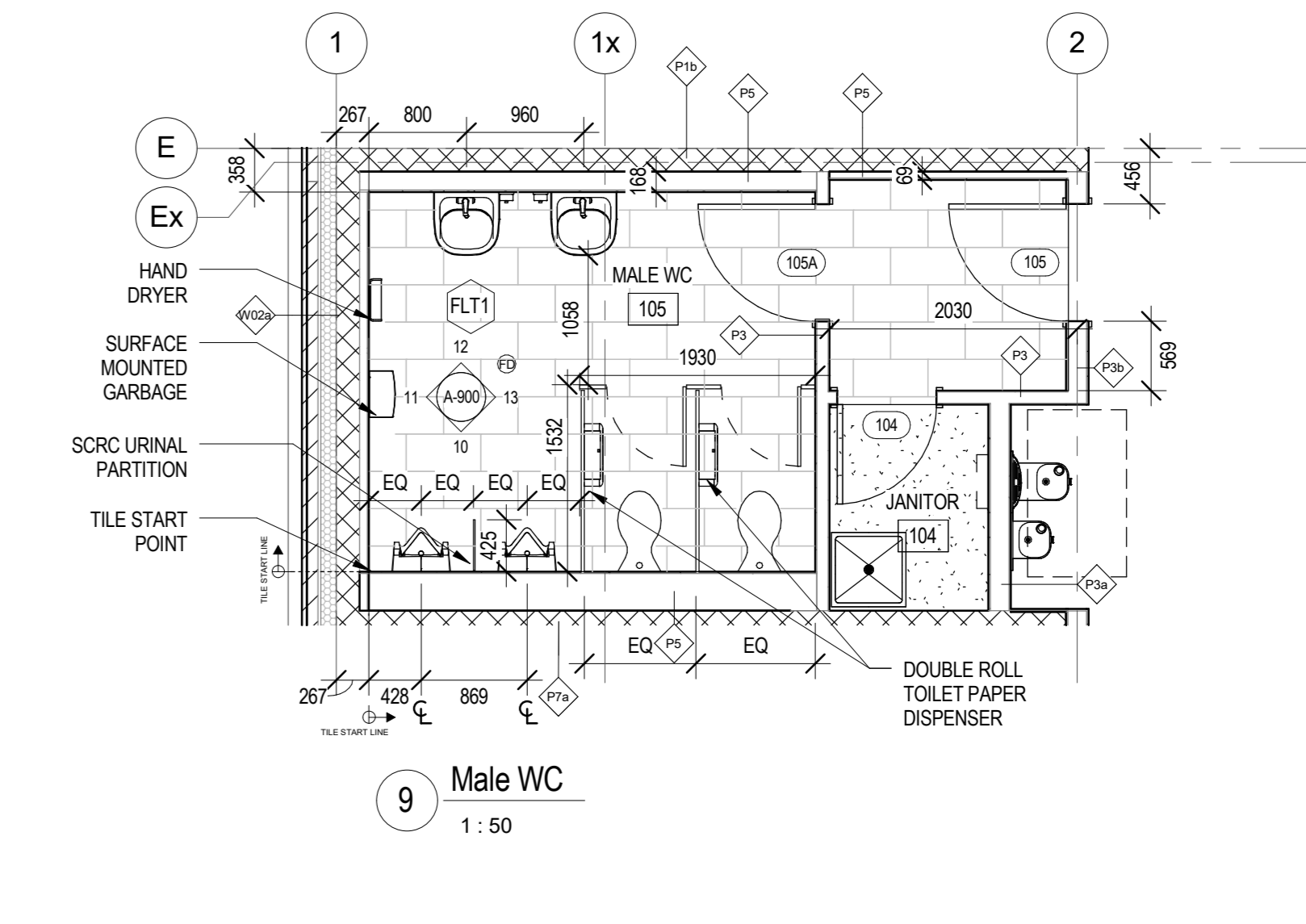
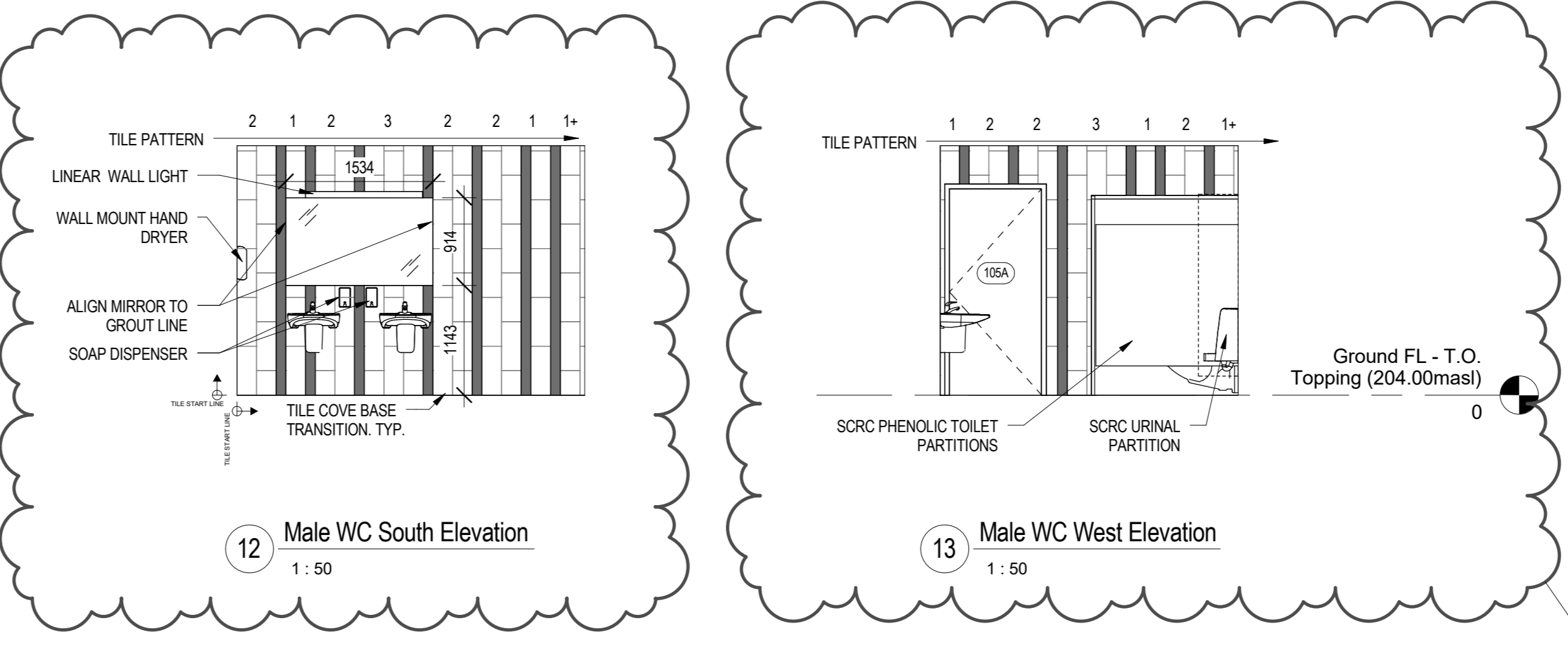
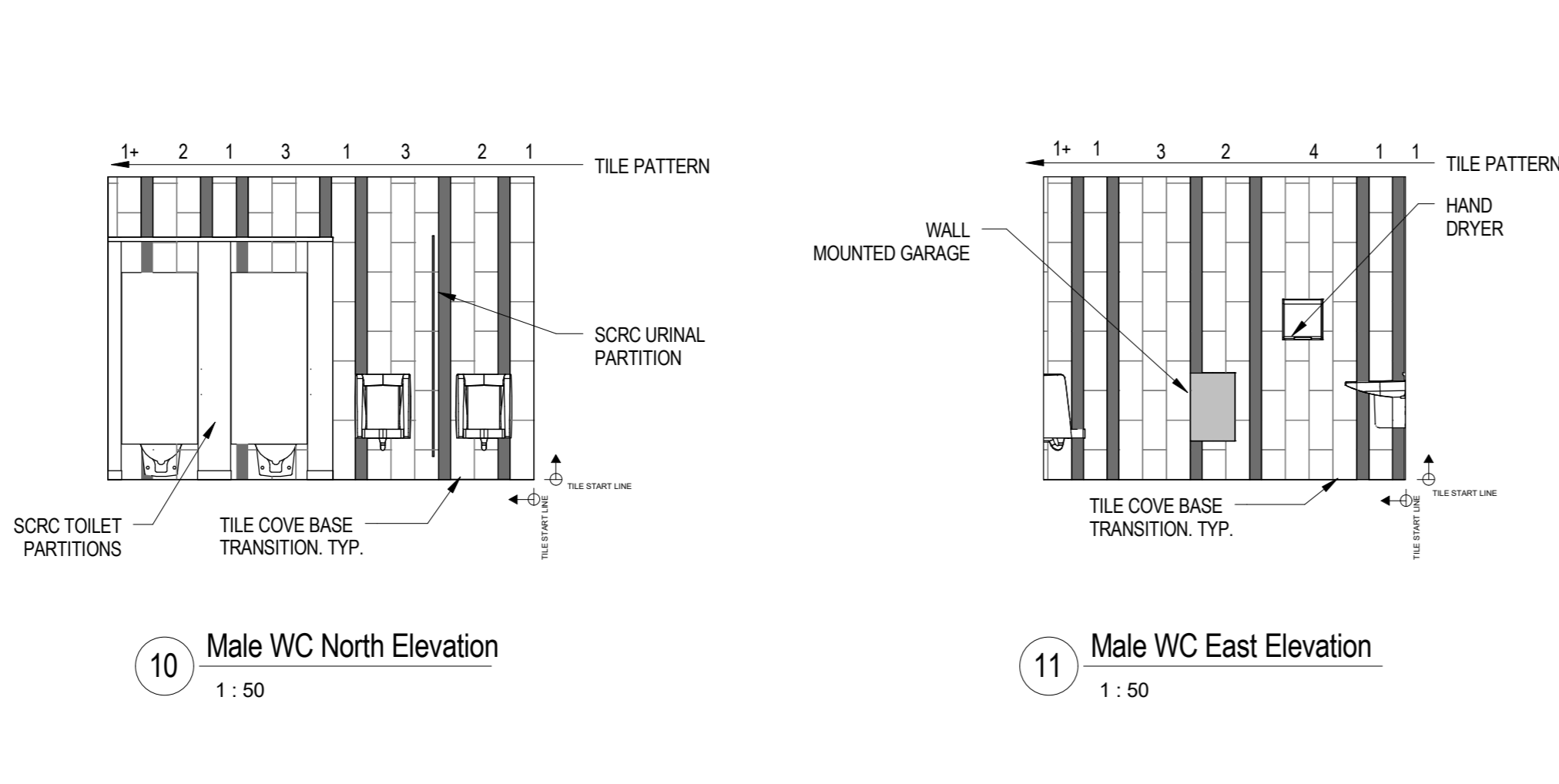
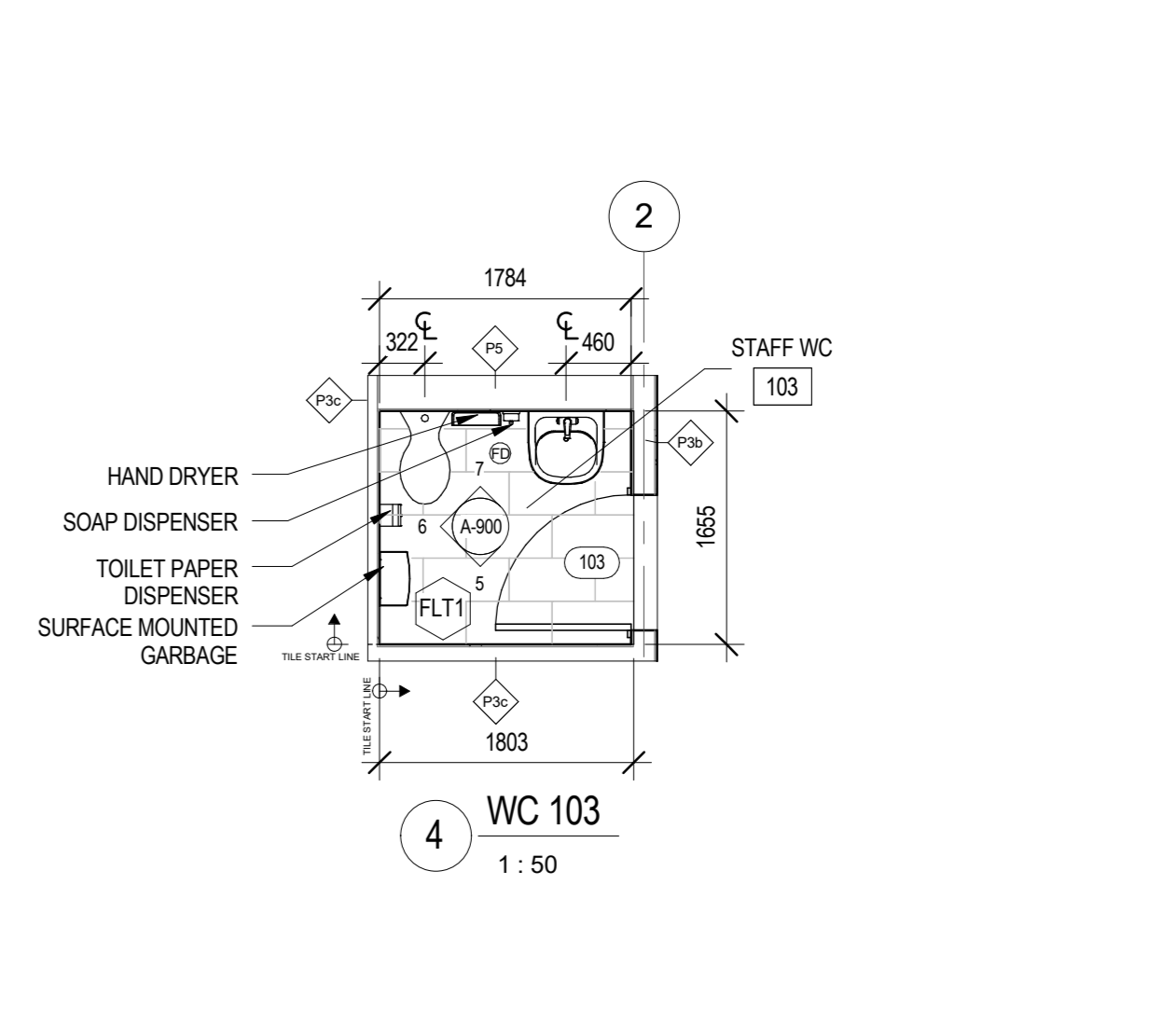
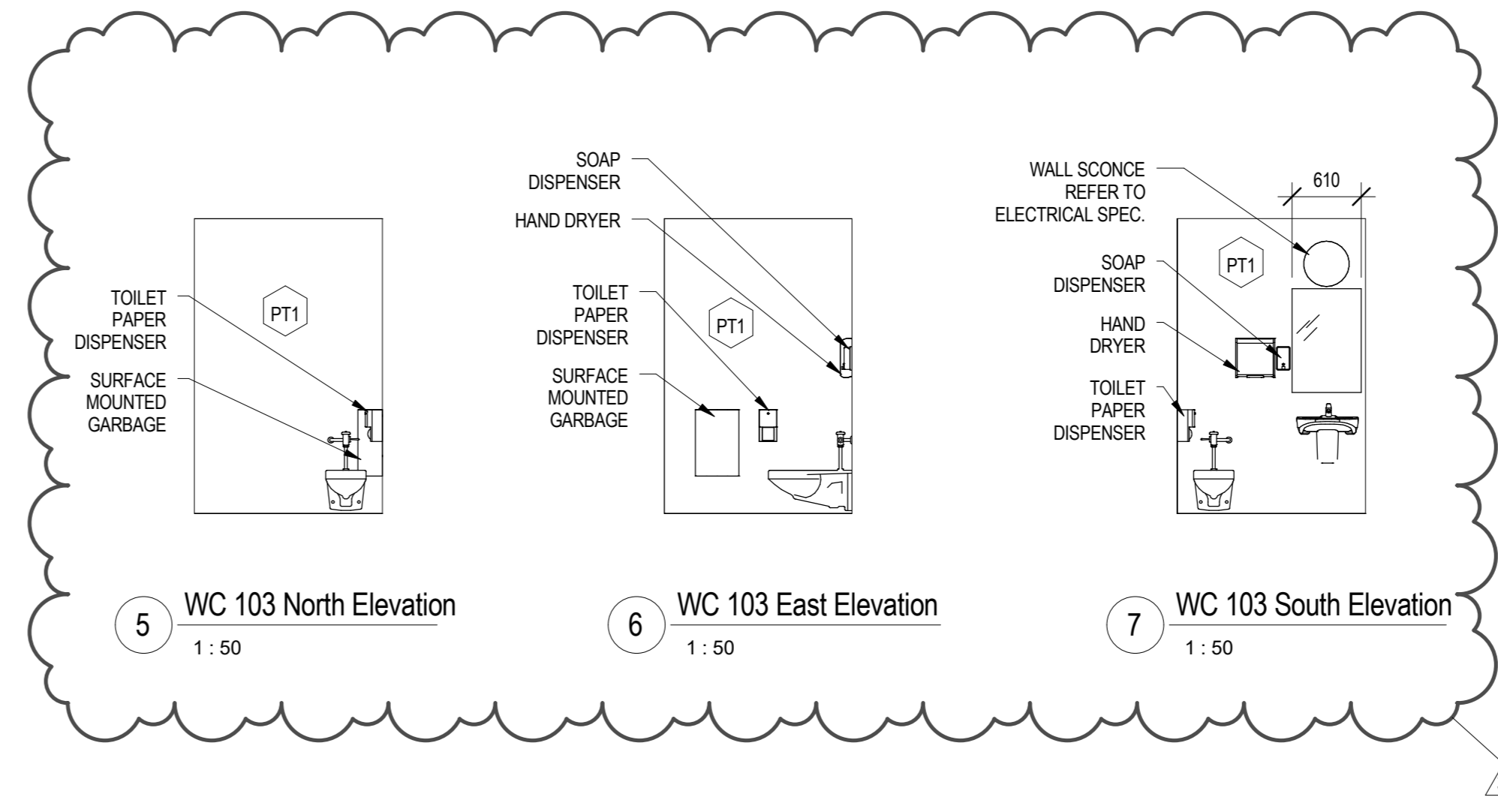
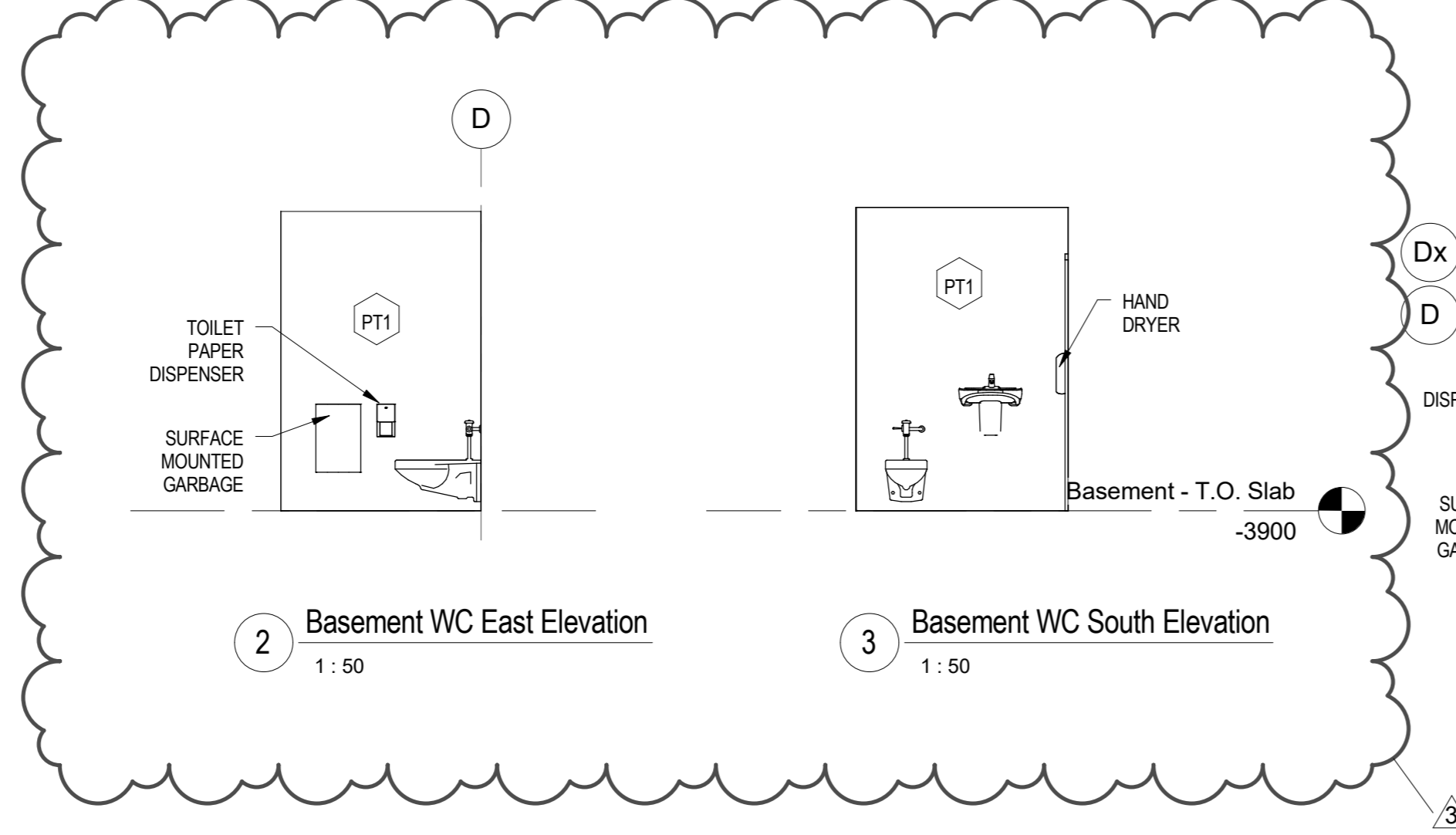
PT1 - PAINT - WHITE OGC-17  
PT2 - PAINT - LUCIFER AF-530  
PT3 - PAINT - FUJI AF-525  
PT4 - PAINT - SOLITUDE AF-545  
PT5 - PAINT - MEDITERRANEAN TEAL 2123-10  
PT6 - PAINT - WITCHING HOUR 2120-30  
WT1 - WALL TILE - PERIWINKLE BRIGHT (3"x6")  
WT2 - WALL TILE - QUEBEC-BLACK FLECK (2"x2" MOSAIC)  
WT3 - WALL TILE - WARM WHITE BRIGHT (3"x6")  
WT4 - WALL TILE - CHARTRUSE BRIGHT (3"x6")  
WT5 - WALL TILE - PEPPER WHITE 0147 (3"x6")  
WT6 - WALL TILE - GARDEN SPOT 0141 (4.25"x4.25")

**Universal WC Notes**

- UNIVERSAL WASHROOM AS PER OBC 3.8.3.12
- DOOR SHOULD BE LOCKABLE FROM INSIDE AND RELEASE FROM OUTSIDE IN EVENT OF EMERGENCY. A GRASPABLE LATCH OPERATING MECHANISM LOCATED NOT LESS THAN 900MM AND NOT MORE THAN 1000MM ABOVE THE FINISHED FLOOR AS PER OBC 3.8.3.12(1)(B)
- TOILETS TO BE EQUIPPED WITH A BACK SUPPORT WHERE THERE IS NO SEAT OR TANK, AS PER OBC 3.8.3.9(1)(C) NOT HAVE A SPRING-ACTIVATED SEAT, AS PER OBC 3.8.3.9(1)(D), AND HAVE HAND-OPERATED FLUSHING CONTROLS THAT ARE OPERABLE USING A CLOSED FIST WITH A FORCE OF NOT MORE THAN 22.2 N, AS PER OBC 3.8.3.9(2)
- INSTALL LIGHTING CONTROLLED BY A MOTION SENSOR AS PER OBC 3.8.12(1)(K)
- PROVIDE EMERGENCY CALL SYSTEM AND SIGN AS PER OBC 3.8.3.12(2)
- CLEAR SPACE FOR ADULT SIZE CHANGE TABLE AS PER OBC 3.8.3.12(3) (5). PROVIDE BLOCKING AS REQUIRED TO PERMIT FUTURE INSTALLATION OF TABLE.

**B/F WC Notes**

- BARRIER-FREE WASHROOMS AS PER OBC 3.8.3.8
- DOORS AT B/F WASHROOMS AS PER OBC 3.8.3.11(A)
- GRAB BARS 35-45MM AND 38-50MM CLEAR FROM WALL. BARS TO HAVE SLIP-RESISTANT SURFACE, INSTALLED TO RESIST LOAD OF AT LEAST 1.3kN APPLIED VERTICAL OR HORIZONTAL AS PER OBC 3.8.3.12(5)
- CONTRACTOR IS REQUIRED TO PROVIDE SHOP DRAWINGS OF LAYOUT AND MOCK UP ALL WORK RELATED TO UNIVERSAL AND B/F WASHROOMS INCLUDING, BUT NOT NECESSARILY LIMITED TO: DOOR OPENING WIDENING, BLOCKING AND STRUCTURAL REINFORCEMENT, TO BE REVIEWED BY ARCHITECT ON SITE PRIOR TO COMMENCEMENT OF WORK
- TOILETS TO BE EQUIPPED WITH A BACK SUPPORT WHERE THERE IS NO SEAT LID OR TANK, AS PER OBC 3.8.3.9(1)(C) NOT HAVE A SPRING-ACTIVATED SEAT, AS PER OBC 3.8.3.9(1), AND HAVE HAND-OPERATED FLUSHING CONTROLS THAT ARE OPERABLE USING A CLOSED FIST WITH A FORCE OF NOT MORE THAN 22.2 N, AS PER OBC 3.8.3.9(2)
- FAUCETS TO BE EQUIPPED WITH LEVER TYPE HANDLES WITHOUT SPRING LOADING OR OPERATE AUTOMATICALLY, AND BE MOUNTED, AS PER OBC 3.8.3.11(VE).



**ISSUED FOR TENDER**

ISSUE DATE: MARCH 23, 2018

NO.	DATE	DESCRIPTION
3	2018/04/04	ISSUED FOR ADDENDA #2
2	2018/03/23	ISSUED FOR TENDER
1	2017/12/19	ISSUED FOR BUILDING PERMIT

**PROJECT:**  
**BROCK MISSION MEN'S SHELTER**  
217 MURRAY STREET, PETERBOROUGH, ONTARIO

**DRAWING TITLE:**  
**WASHROOMS PLANS & ELEVATIONS**

**PROJECT NO:** 14276  
**SCALE:** 1 : 50  
**DRAWN BY:** XH  
**REVIEWED BY:** JL

**DRAWING NO:**  
**A-900**